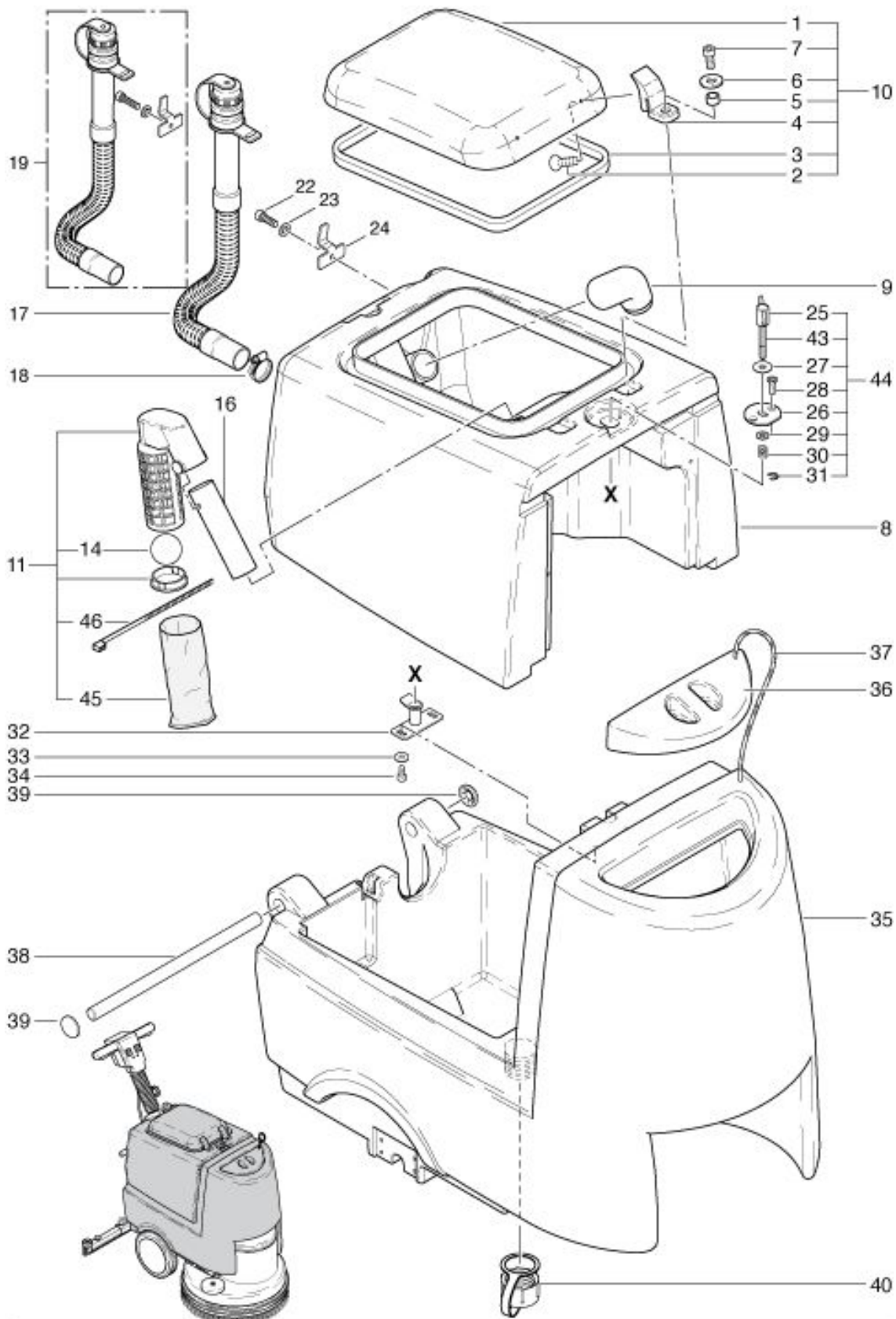


# RA 501 IBC

## Clean water tank and Waste water tank

As at: 09/09/15 Time:15:50



# RA 501 IBC

## Clean water tank and Waste water tank

As at: 09/09/15 Time:15:50

<b>Pos.</b>	<b>Description</b>	<b>Reference</b>
01	Cover	710.120
02	Countersunk screw M 4x8	P...480 O
03	Seal for cover	710.121
04	Hinge	710.122
05	Distance piece	430.618
06	Washer M 6	P...497 K
07	Cylindrical screw M 5x12	P...488 B
08	Waste water tank	436.200
09	Angled piece	560.674
10		470.468
11	Float basket kompl.	432.300
14	Ball Ø 45 mm	432.304
16	Suction tube to blower	432.205
17	Discharge hose cpl. 630mm	P...561
18	Hose clamp	P...206 D
19	Discharge hose Set up to Masch. Nr. 9040.001	432.111
22	Screw DIN 912 M 5x12	P...488 B
23	Washer M 5	P...497 G
24	Hose clamp	P...109 G
25	Wing nut	P...174
26	Edition to catch	436.221
27	Washer M 8x24	P...497 T
28	Countersunk screw	P...480 P
29	Washer M 8x16	P...496 P
30	Compression spring	436.228
31	Snap ring Ø 6 mm	P...500 K
32	Tank adjustment	432.407
33	Washer M 5x15	P...496 G
34	Fillister-head screw	P...481 Z
35	Clean water tank	436.100
36	Freshwater tank cover	432.115
37	Cord Ø 3x260 mm	432.750
38	Axle	436.220
39	Guard ring with cap	P...499 L
40	Cover of complete for execution	432.110
43	Threaded pin	436.226
44	Catch compl. including items 25-31+43	436.225
45	Filter bag	432.315
46	Cable tie 2.4 mm x 203 mm	P...609 B