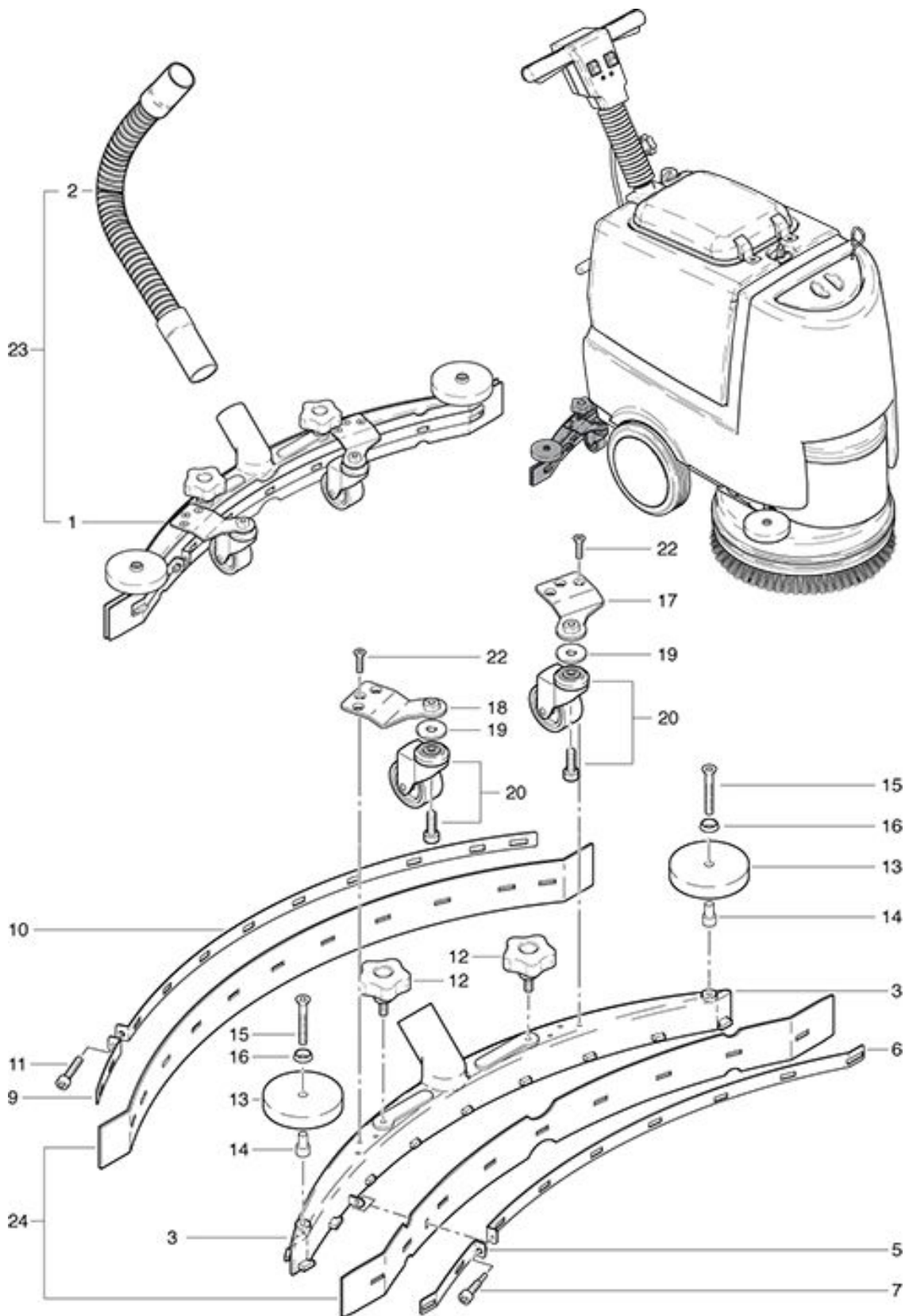


**RA 501 IBC**  
**Suction nozzle curved**

As at: 09/10/15 Time:09:09



# RA 501 IBC

## Suction nozzle curved

As at: 09/10/15 Time:09:09

<b>Pos.</b>	<b>Description</b>	<b>Reference</b>
01	Suction nozzle curved compl. including items 3-22	432.550
02	Hose complete	470.832
03	Suction nozzle body	432.555
05	Support plate small, in front	432.561
06	Support plate in front	432.563
07	Set screw	800.425
09	Support plate small in the back	432.564
10	Support plate in the back	432.562
11	Cyndrical screw M 6x25	P...488 Q
12	Star handle Ø 62 mm M 8x18 mm	P...253 M
13	Fender wheel Ø 90 mm	510.127
14	Distance ring	432.508
15	Countersunk screw M 8x45	P...479 P
16	Disk for countersunk screw	P...500 T
17	Role owner left	432.553
18	Role owner on the right	432.554
19	Carrosserie disk Ø 8,4x30/1,5	P...500 N
20	Castor compl.	P...209 B
22	Countersunk screw M 6x16	P...487 W
23	Suction nozzle with dust extraction hose of complete stock from pos. 1+2	432.031
24	Suction lips set, oil and fatsteadily	432.551
24	Suction lips set, standard	432.552