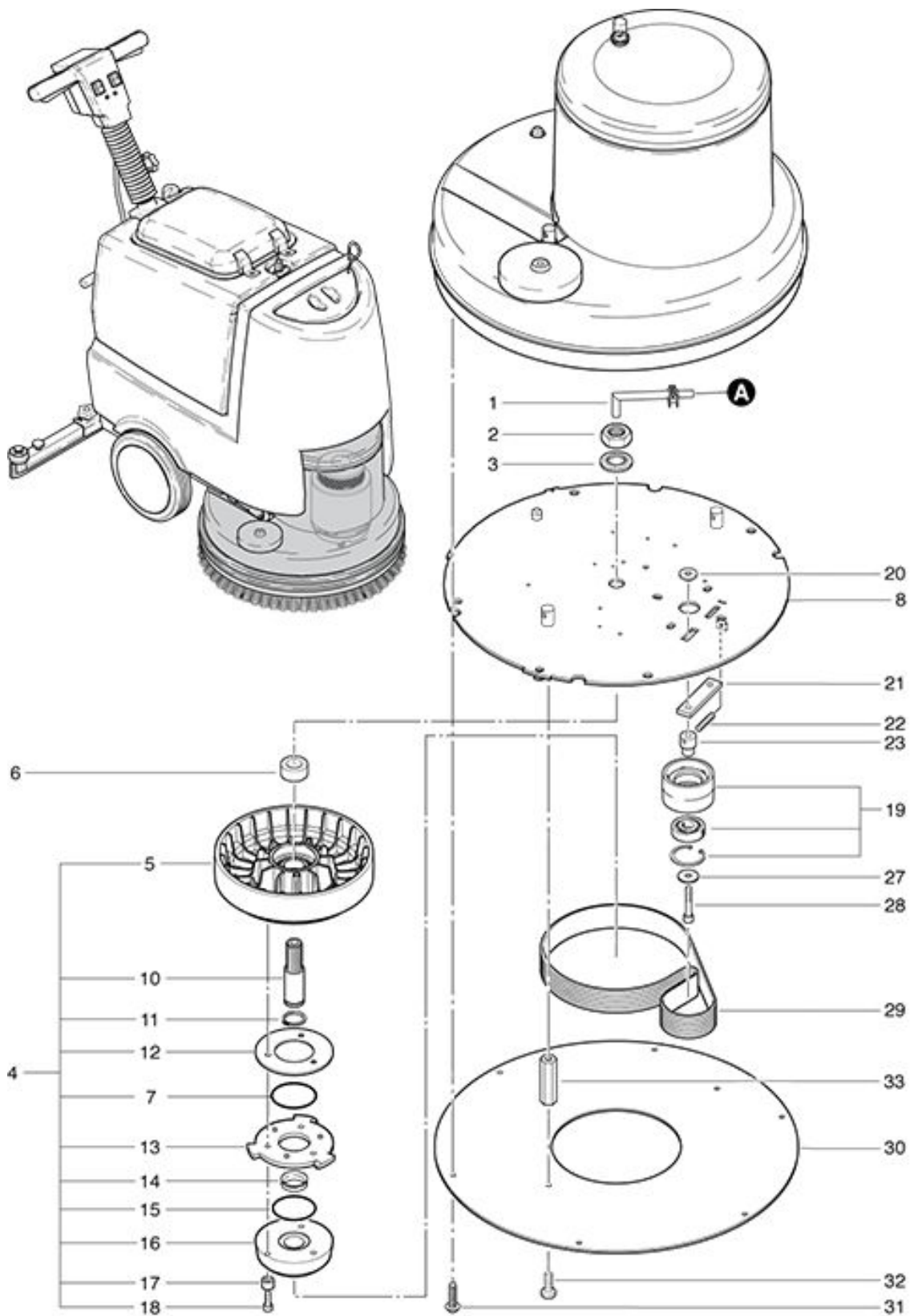


RA 501 IBC
Drive and waterdistribution

As at: 09/09/15 Time:15:55



RA 501 IBC

Drive and waterdistribution

As at: 09/09/15 Time:15:55

Pos.	Description	Reference
01	Distribution tube	432.166
02	Hexagon nut M 20x1,5	P...492 R
03	Washer M 20/20,5x40	P...498 Q
04	Belt wheel pre-mounts cpl. including items 5,7,10-18	436.126
05	Drive pulley	726.130
06	Can	432.507
07	O-ring 55,25x2.62	P...964 A
08	Drive plate	501.502
10	Main axle	742.125
11	Security ring Ø 25	P...513 D
12	Distance ring 46x99/1	430.136
13	Star wheel	742.141
14	V-profile ring	P...343 A
15	O-ring 52x2.62	P...964 B
16	Brush support	430.157
17	Distance ring 6/8x4 mm	742.129
18	Cylindrical screw M 6x20	P...487 S
19	Guide pulley	726.301
20	Groove nut	720.125
21	Support	720.128
22	Tread pin I-6kt. M 6x25	P...513 K
23	Federation tap	436.127
27	Washer M 8	P...496 Q
28	Cylindrical screw M 8x45	P...487 T
29	Rib tape	720.115
30	Cover plate	501.517
31	PT-screw KA 50x25	P...515 L
32	Fillister-head screw M 5x16	P...476 E
33	Distance stops	501.521