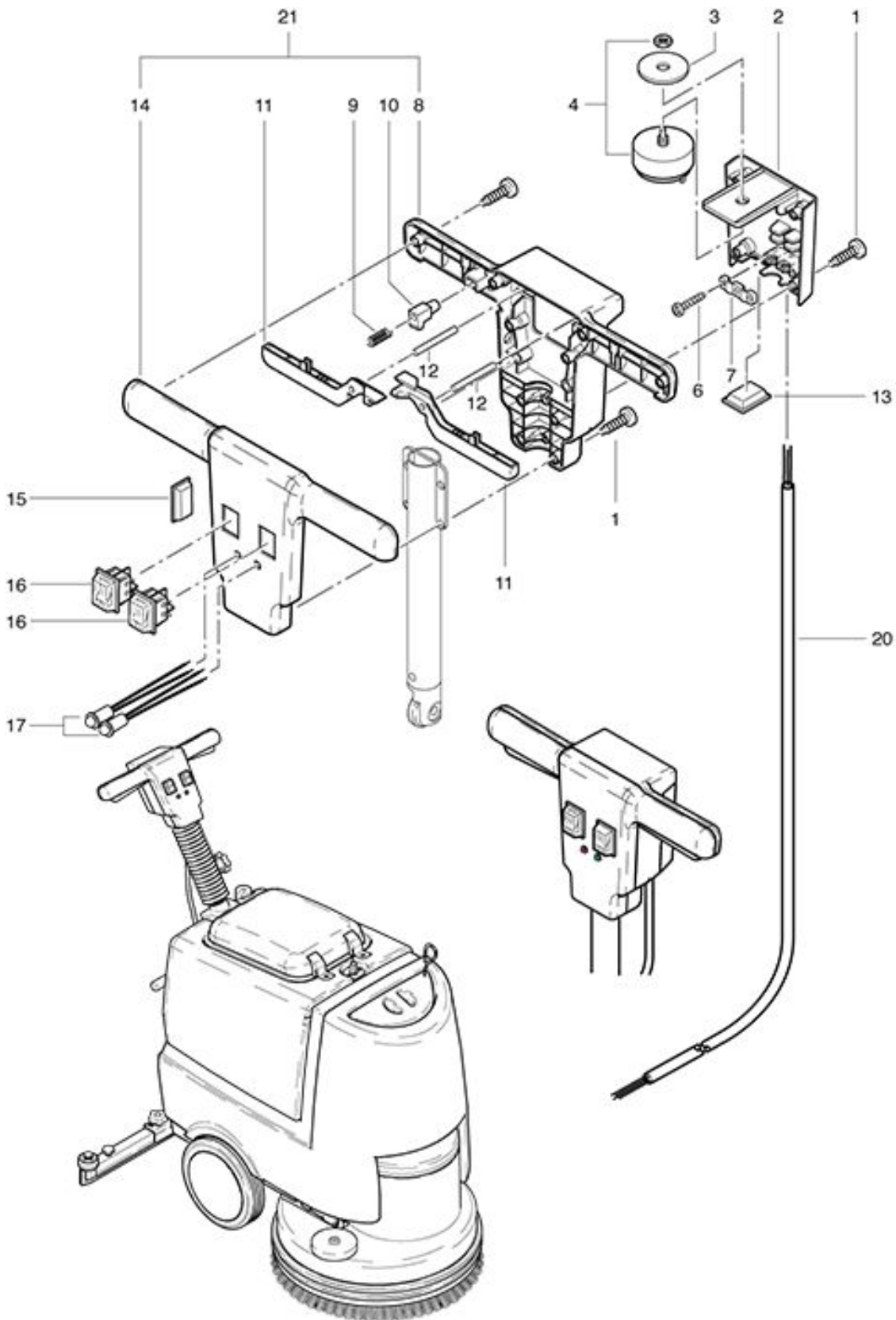


RA 501 IBC
Handle

As at: 09/09/15 Time:15:58



RA 501 IBC

Handle

As at: 09/09/15 Time:15:58

Pos.	Description	Reference
01	PT screw KA 50x25	P...515 L
02	Rear handle cover	741.310
03	Washer M 12/13/37/3	P...496
04	Switch (2)	6650454
06	Screw-Spax M 5x20	P...515 K
07	Cable clamp	742.321
08	Rear handle housing	436.324
09	Pressure spring	742.209
10	Button	742.208
11	Switch handle	741.204
12	Cylindrical pin Ø 6x50	P...512 M
13	Cover black	741.216
14	Front handle housing	470.321 A
15	Cover	P...171 O
16	Tumbler switch 24 V	P...241
17	Set LED red, green 2.1 V, Ø 5mm	P...415
20	Cable tree for pushbar up to Masch.Nr. 8825	436.319
20	Cable tree for pushbar from machine no 8826.001	436.318
21	Rear handle housing, Pos. 8+14	436.310