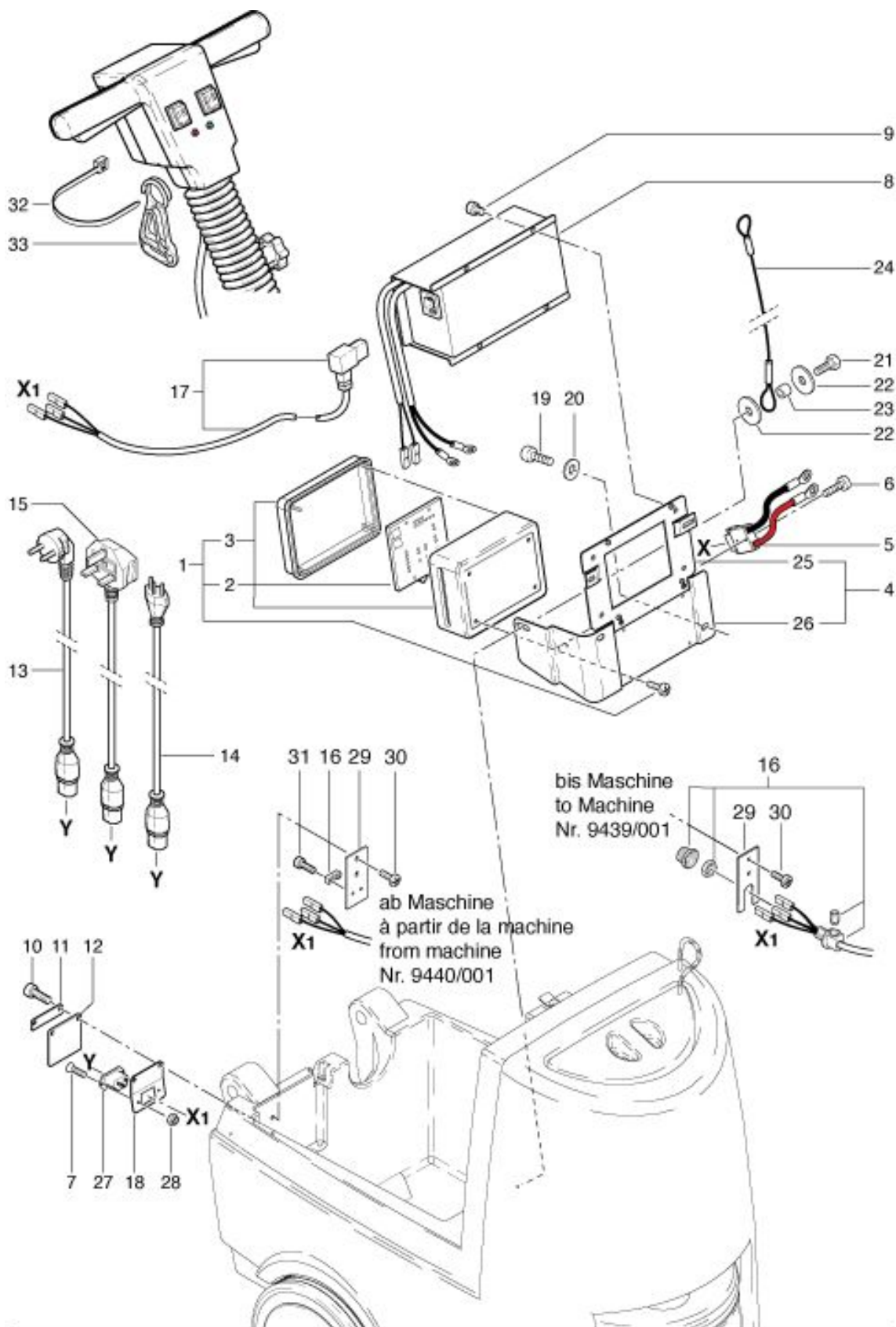


RA 501 IBC Installation battery charger electronics

As at: 09/09/15 Time:16:03



RA 501 IBC

Installation battery charger electronics

As at: 09/09/15 Time:16:03

Pos.	Description	Reference
01	Control box compl. inclusive pos. 2+3	436.770 A
02	Print control 3 G.	436.776
03	El. box Cleanfix	436.774
04	Carrier control box compl.	436.053
05	Load plug wiring harness	436.713
06	Pan head screw M 4x20	P...475 F
07	Screw M 3x8	P...479 VZ
08	Battery charger 24V/10A	436.050
09	Cylindrical screw M 4x5	P...477
10	Screw M 5x12	P...488 B
11	Attachment sheet metal	436.623
12	Plug cover	560.622
13	Connection cable VDE 3x1,00mm ² , as from machine no. 9014.001	436.790
14	Connection cable SEV as from machine no. 9014.001	436.791
15	Connection cable GB as from machine no. 9014.001	436.792
16	Cable clamp from machine No°9440/001	4611085
16	Fixation for cable to Machine No° 9439/001	P...279
17	Cable harness battery charger to Machine No° 9439/001	436.795
17	Cable harness battery charger from machine No°9440/001	436.796
18	Holder	438.801
19	Screw M 6x10	P...486 YC
20	Washer M 6	P...496 L
21	Hexagon screw M 6x16	P...470 T
22	Washer M 6	P...497 Y
23	Distance washer	742.129
24	Polyester-hurry	436.447
25	Girder sheet metal	436.051
26	Carrier control box	436.773
27	Plug	438.802
28	Locknut M 3	P...493 C
29	Retaining plate	436.775
30	Screw M 5x10	P...481 Z
30	Screw M 5x10	P...481 Z
31	Screw DIN 912 M 5x14	P...488 F
32	Cable tie black	P...609
33	Cable assembly discharge	P...375