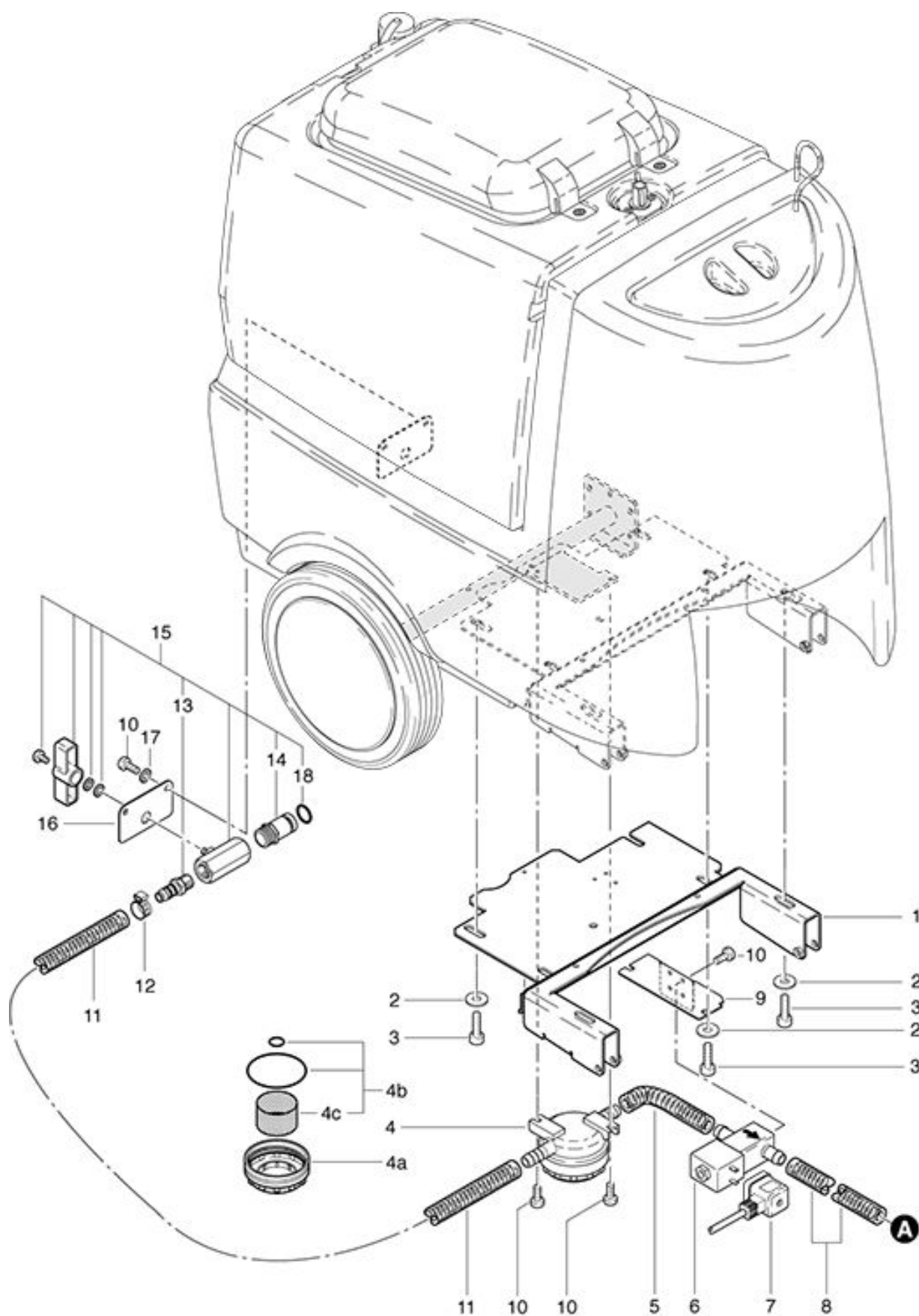


**RA 501 IBC**  
**Magnetic valve and Filter assembling**

As at: 09/09/15 Time:16:07



## RA 501 IBC

### Magnetic valve and Filter assembling

As at: 09/09/15 Time:16:07

| <b>Pos.</b> | <b>Description</b>       | <b>Reference</b> |
|-------------|--------------------------|------------------|
| 01          | Girder sheet metal       | 436.052          |
| 02          | Washer M 6               | P...496 L        |
| 03          | Hexagon screw M 6x12     | P...486 Q        |
| 04          | Filter compl.            | 430.759          |
| 04a         | Filter cover             | 430.258          |
| 04b         | Filter kit               | 430.759 A        |
| 04c         | Filter                   | 430.759 B        |
| 05          | Elbow                    | 432.091          |
| 06          | Magnetic valve 24 V      | P...258          |
| 07          | Cable for magnetic valve | 436.710          |
| 08          | Hose 225 mm              | 432.152          |
| 09          | Valve support plate      | 501.233          |
| 10          | Truss head screw M 5x10  | P...481 Z        |
| 11          | Hose 390 mm              | 432.151          |
| 12          | Hose clip 19.8-706R      | P...550 N        |
| 13          | Straight nipple          | P...519 B        |
| 14          | Straight                 | 432.087          |
| 15          | Valve complete           | 432.085          |
| 16          | Disk to ball valve       | 432.092          |
| 17          | Serrated lock washer M 5 | P...498 D        |
| 18          | O-ring                   | P...960 O        |