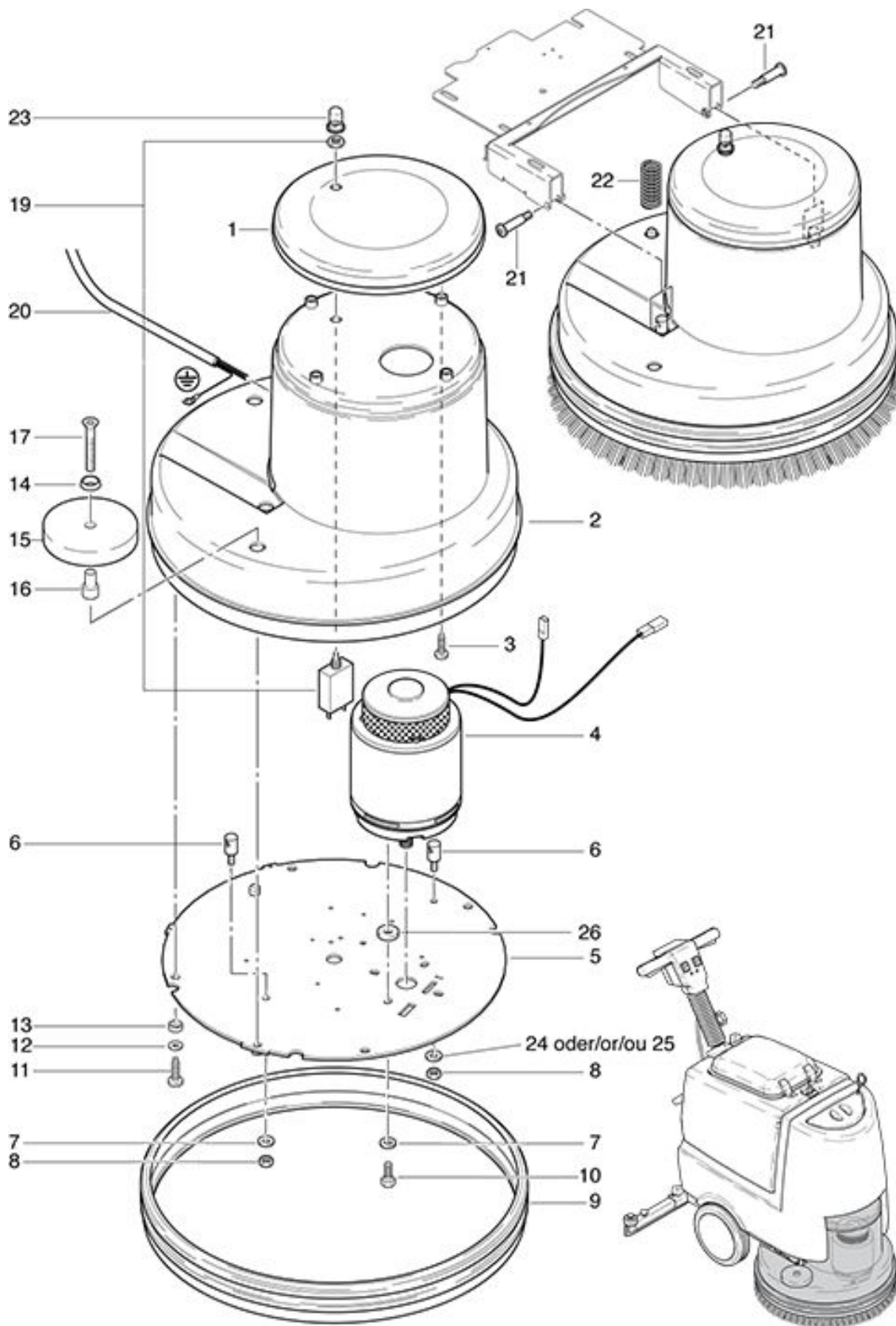


# RA 501 IBC Motor

As at: 09/09/15 Time:16:18



# RA 501 IBC

## Motor

As at: 09/09/15 Time:16:18

<b>Pos.</b>	<b>Description</b>	<b>Reference</b>
01	Cover	748.067 O
02	Cover	501.510
03	PT-screw KA 50x24	P...515 L
04	Motor complete 24 V/DC 800 W	470.121
05	Drive disk	501.502
06	Hold bolt	432.505
07	Washer M 8	P...496 P
08	Hexagon nut M 8	P...492 H
09	Shock protection	501.515
10	Screw DIN 933 M 8x20	P...471 E
11	PT-screw KA 50x10	P...515 LA
12	Washer M 5	P...496 G
13	Distance ring	432.515
14	Disk for countersunk screw	P...500 T
15	Fender wheel Ø 90 mm	510.127
16	Distance ring	432.508
17	Countersunk screw M 8x45	P...479 P
19	Protective switchgear 45 A	470.711
20	Motor cable	436.314
21	Pass shoulder screw 8x25-M6x6	432.521
22	Compression spring 68x18x2	432.520
23	Protective cap E-T-A	470.710A
24	Washer DIN 9021 M6 6,4/18/1,6	P...496 L
25	Washer DIN 125 A M6 6,4/12/1,6	P...496 K
26	Washer	436.122