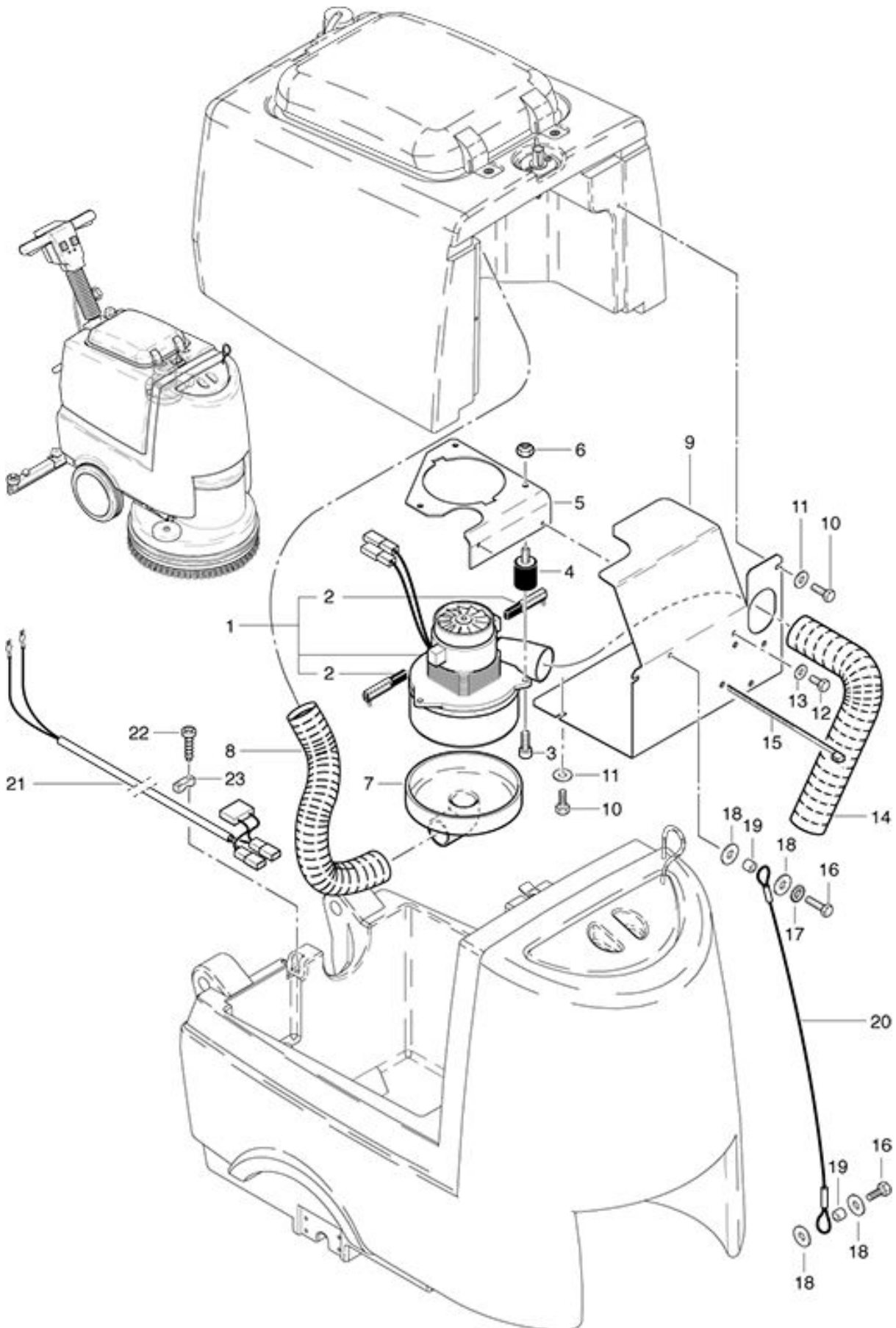


RA 501 IBC
Vacuum motor assembling

As at: 09/10/15 Time:09:19



RA 501 IBC

Vacuum motor assembling

As at: 09/10/15 Time:09:19

Pos.	Description	Reference
01	Vacuum motor 24 V/400 W	440.206
02	Pair of carbon brushes	P...870 KB
03	Cylindrical screw M 6x12	P...486 Q
04	Round buffer	400.217
05	Motor support	436.355
06	Locknut	P...493 K
07	Top cap	470.490
08	Suction hose	436.353
09	Cover to blower	436.354
10	Hexagon screw M 6x10	P...471 Z
11	Washer M 6	P...496 S
12	Hexagon screw M 6x16	P...470 T
13	Washer M 6	P...497 K
14	Drain hose	470.488
15	Cable strap	P...424
16	Hexagon screw M 6x16	P...470 T
17	Washer M 6	P...499 D
18	Washer M 6x25	P...497 Y
19	Distance piece	742.129
20	Polyester-hurry 4x640 mm	436.447
21	Cable tree with capacitor	436.357
22	Fillister-head screw M 5x16	P...476 E
23	Cable clamp	4611085